



**≡ DURABILITY   ≡ PERFORMANCE   ≡ PRECISION**





Milan, Amalfi, Aztec.....	01
Swish, Foko, Olympia .....	02
Sorrento, Maya, Avant.....	03
Bulbus .....	04
Arc, Cannes, Ares .....	05
Achilles.....	06
Verto.....	07
Apollo, Wave.....	08
Versailles .....	10
Vista .....	11
Standards.....	12
Box sets .....	13
Accessories .....	14
Spec/sizes.....	15
Colours .....	17

*DURABILITY* *PERFORMANCE* *PRECISION*



Our products are a manifestation of our passion for design, elegance and style.

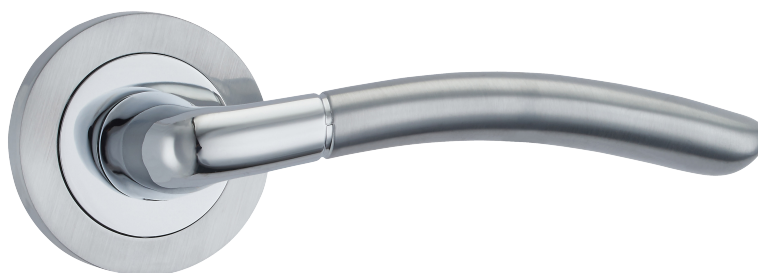
Each Fortessa door lever is manufactured from premium grade metals and combines modern technology and expert craftsmanship in perfect harmony, to create a prestigious blend of high performance and design.





≡ MILAN

SATIN NICKEL / POLISHED CHROME – FCOMIL-SNPC



≡ AMALFI

Satin Polished Chrome – FCOAMA-SPC



≡ AZTEC

Satin Polished Chrome – FCOAZT-SPC



Our levers are manufactured to DIN EN 1906 European Quality Standards with 10 year guarantee on the mechanical parts. Matching Escutcheons are included with each of our lever sets. Privacy Thumbturns are available separately for each of our levers on Rose.



≡ SWISH

Satin Nickel – FCOSWI-SN



≡ FOKO

Satin Polished Chrome – FCOFOK-SPC



≡ OLYMPIA

Satin Nickel / Polished Chrome – FCOOLY-SN/PC



Our levers are manufactured to DIN EN 1906 European Quality Standards with 10 year guarantee on the mechanical parts. Matching Escutcheons are included with each of our lever sets. Privacy Thumbturns are available separately for each of our levers on Rose.



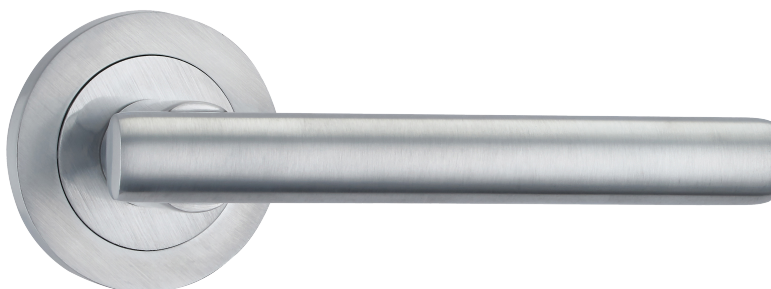
≡ **SORRENTO**

Satin Polished Chrome – FCOSOR-SPC



≡ **MAYA**

Satin Nickel / Nickel Polish – FDEMAY-SN/NP



≡ **AVANT**

Satin Chrome – FCOAVA-SC



Our levers are manufactured to DIN EN 1906 European Quality Standards with 10 year guarantee on the mechanical parts. Matching Escutcheons are included with each of our lever sets. Privacy Thumbturns are available separately for each of our levers on Rose.



IMAGE VERTO DPACH-SN



≡ BULBUS

Satin Nickel – FCOBUL-SN



≡ BULBUS

Satin Brass – FCOBUL-SB

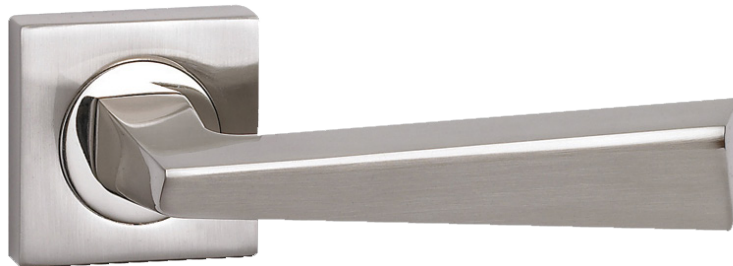


Our levers are manufactured to DIN EN 1906 European Quality Standards with 10 year guarantee on the mechanical parts. Matching Escutcheons are included with each of our lever sets. Privacy Thumbturns are available separately for each of our levers on Rose.



≡ **ARC**

Polished Chrome – FCOARC-PC



≡ **CANNES**

Satin Nickel – FCOCAN-SN



≡ **ARES**

Satin Nickel / Polished Chrome – FCOARE-SN/PC



Our levers are manufactured to DIN EN 1906 European Quality Standards with 10 year guarantee on the mechanical parts. Matching Escutcheons are included with each of our lever sets. Privacy Thumbturns are available separately for each of our levers on Rose.





≡ **ACHILLES**

Satin Nickel – FCOACH-SN



≡ **ACHILLES**

Antique Bronze – FCOACH-AB



≡ **ACHILLES**

Polished Chrome – FCOACH-PC



Our levers are manufactured to DIN EN 1906 European Quality Standards with 10 year guarantee on the mechanical parts. Matching Escutcheons are included with each of our lever sets. Privacy Thumbturns are available seperately for each of our levers on Rose.



≡ **VERTO**

---

Satin Nickel – FCOVER-SN



≡ **VERTO**

---

PVD Brass – FCOVER-PVD



≡ **VERTO**

---

Polished Chrome – FCOVER-PC



Our levers are manufactured to DIN EN 1906 European Quality Standards with 10 year guarantee on the mechanical parts. Matching Escutcheons are included with each of our lever sets. Privacy Thumbturns are available seperately for each of our levers on Rose.



IMAGE MAYA FDEMAY-SN/NP



≡ **APOLLO**

Satin Nickel / Nickel Polish – FDEAPO-SN/NP



≡ **WAVE**

Satin Nickel - FSEWAV-SN



Our levers are manufactured to DIN EN 1906 European Quality Standards with 10 year guarantee on the mechanical parts. Matching Escutcheons are included with each of our lever sets. Privacy Thumbturns are available seperately for each of our levers on Rose.



Quality cannot  
be defined, it can only  
be experienced

A blend of  
high performance  
and design





≡ **VERSAILLES**

Polished Chrome – FCLVER-PC



≡ **VERSAILLES**

Antique Bronze – FCLVER-AB



≡ **VERSAILLES**

Satin Bronze – FCLVER-SB



≡ **VERSAILLES**

Satin Chrome – FCLVER-SC



Our levers are manufactured to DIN EN 1906 European Quality Standards with 10 year guarantee on the mechanical parts. Matching Escutcheons are included with each of our lever sets. Privacy Thumbturns are available separately for each of our levers on Rose.



≡ VISTA

Satin Chrome — FCOVIS-SC



≡ VISTA

PVD Brass — FCOVIS-PVD



≡ VISTA

Polished Chrome — FCOVIS-PC



IMAGE OLYMPIA FCOOLY-SN/PC



Our levers are manufactured to DIN EN 1906 European Quality Standards with 10 year guarantee on the mechanical parts. Matching Escutcheons are included with each of our lever sets. Privacy Thumbturns are available separately for each of our levers on Rose.

# Durability, Performance and Precision are the cornerstones of all our products



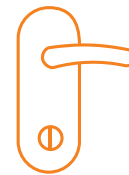
All products undergo thorough testing at all stages of manufacture



All Levers must comply to strict quality examinations



Performance of all working parts is rigorously tested



Each Lever is assessed for resistance to corrosion and scratches

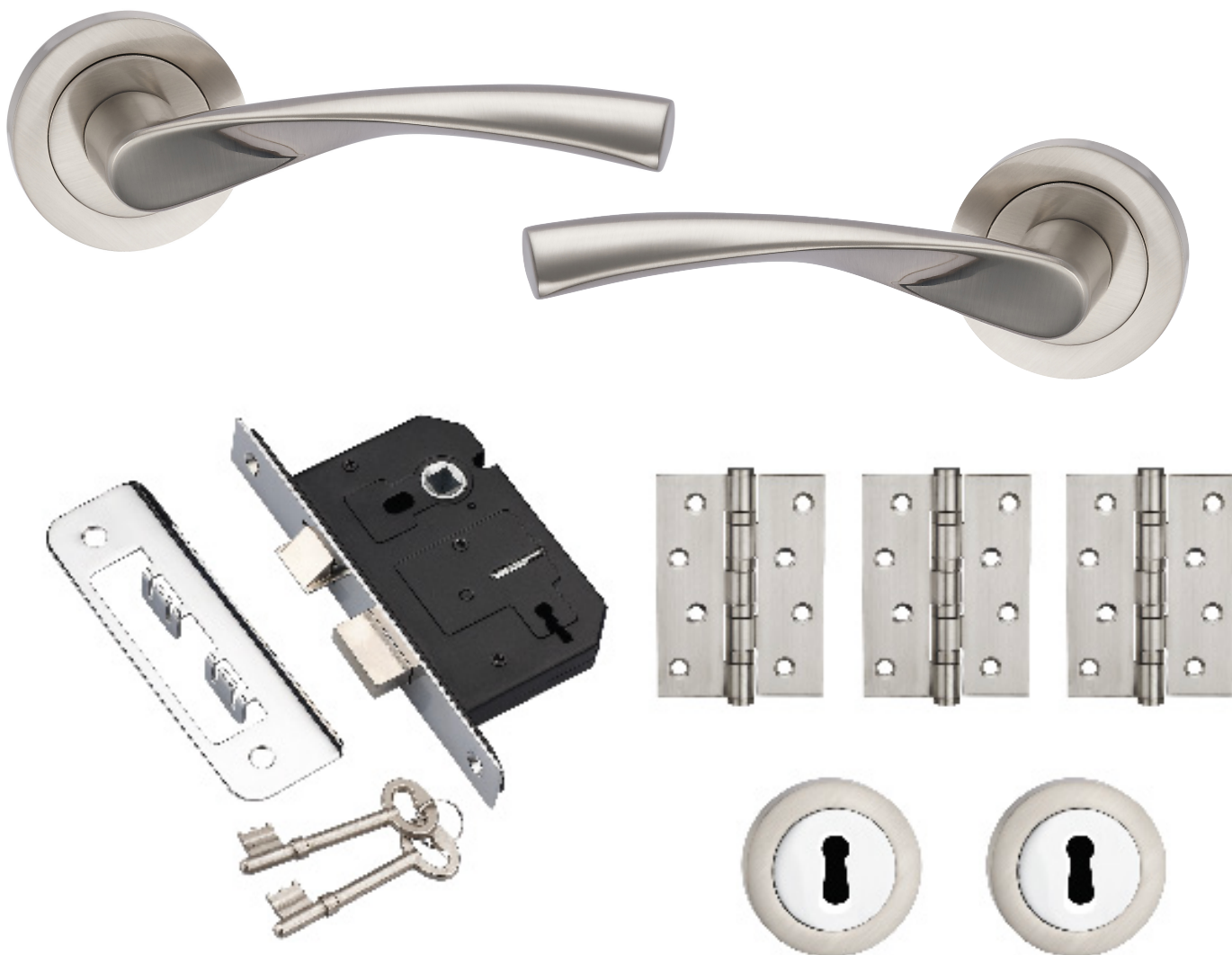


All collections are carefully checked by eye to ensure perfection before dispatch



All levers meet DIN EN 1906 Interior Residential classification standards

≡ BOX SETS



≡ BOX SET INCLUDES

- 2 Lever Handles • 1 Three Lever Lock • 2 Matching Escutcheons • 3 Hinges
- Each Box Set is available with option of Privacy / Bathroom locks  
They are available in...

≡ ROSE Box set available in...

Wave, Swish, Milan, Verto SN, Amalfi, Achilles SN, Aztec, Maya

≡ PLATE Box set available in...

Versailles and Vista



Our levers are manufactured to DIN EN 1906 European Quality Standards with 10 year guarantee on the mechanical parts. Matching Escutcheons are included with each of our lever sets. Privacy Thumbturns are available separately for each of our levers on Rose.



≡ LOCKS



Standard 3 Lever Internal Lock  
Key & Bathroom options available



≡ HINGES



Satin Satinless Steel,  
Polished Satinless Steel, EBP



≡ THUMB TURNS & PRIVACY



Types: Standard  
Shapes: Square, Circular, Raised  
All finishes available to match handles

≡ ESCUTCHEONS

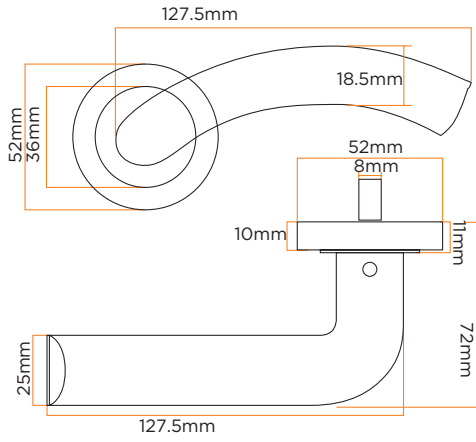


≡ LATCHES

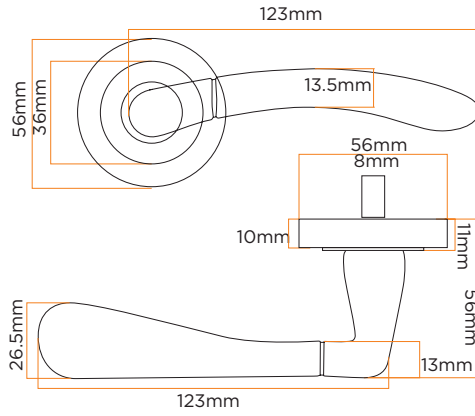


Our levers are manufactured to DIN EN 1906 European Quality Standards with 10 year guarantee on the mechanical parts. Matching Escutcheons are included with each of our lever sets. Privacy Thumbturns are available seperately for each of our levers on Rose. Locks have a 5 year guarantee. Hinges have a 3 year guarantee.

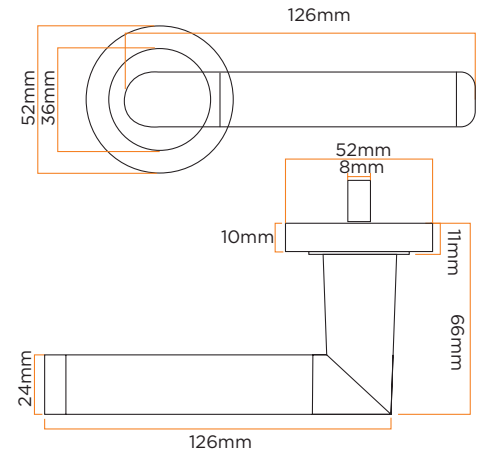
≡ MILAN



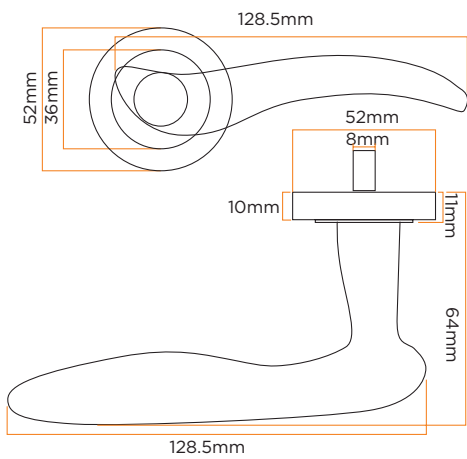
≡ AMALFI



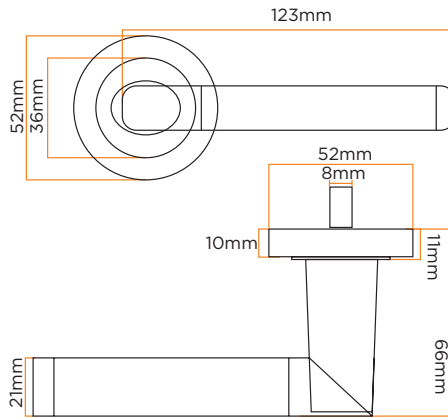
≡ AZTEC



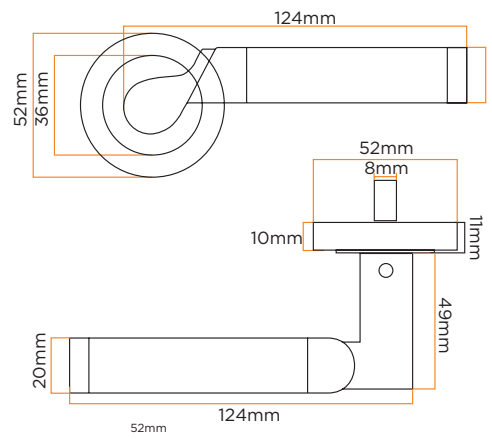
≡ SWISH



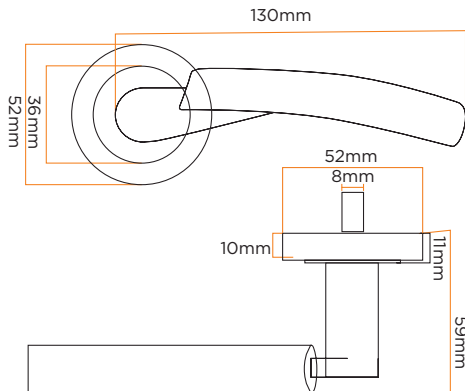
≡ FOKO



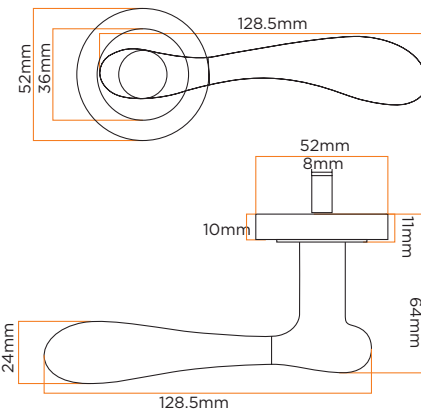
≡ OLYMPIA



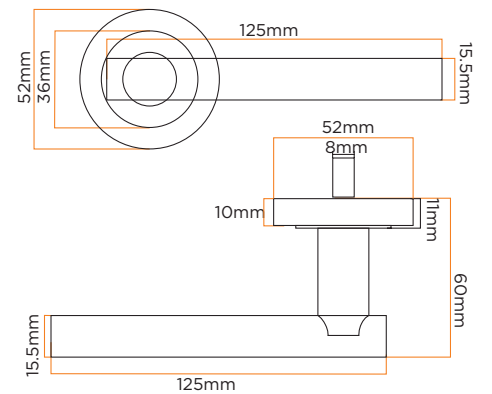
≡ SORRENTO



≡ MAYA



≡ AVANT

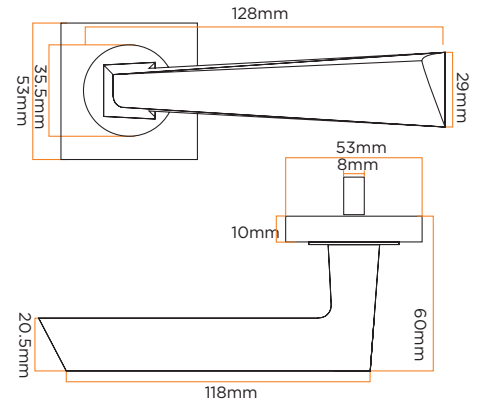
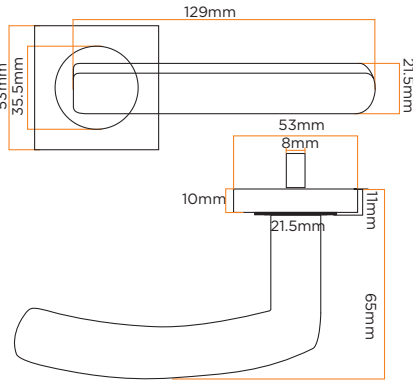
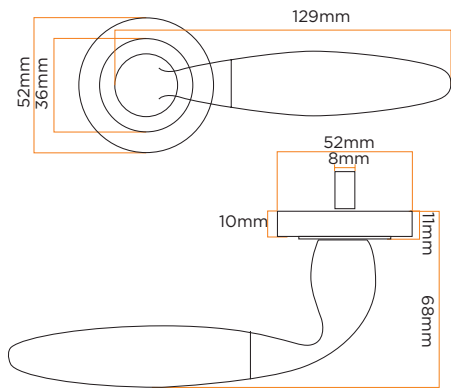


Our levers are manufactured to DIN EN 1906 European Quality Standards with 10 year guarantee on the mechanical parts. Matching Escutcheons are included with each of our lever sets. Privacy Thumbturns are available separately for each of our levers on Rose.

≡ BULBUS

≡ ARC

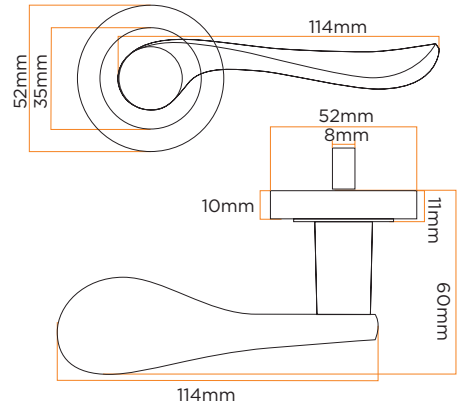
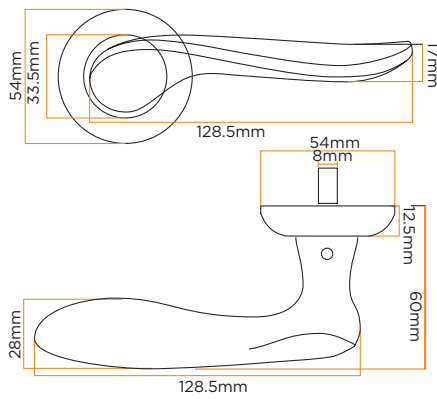
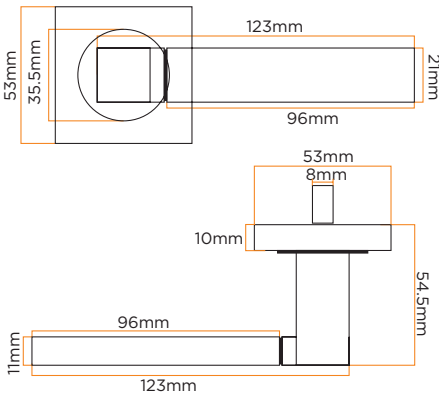
≡ CANNES



≡ ARES

≡ ACHILLES

≡ WAVE

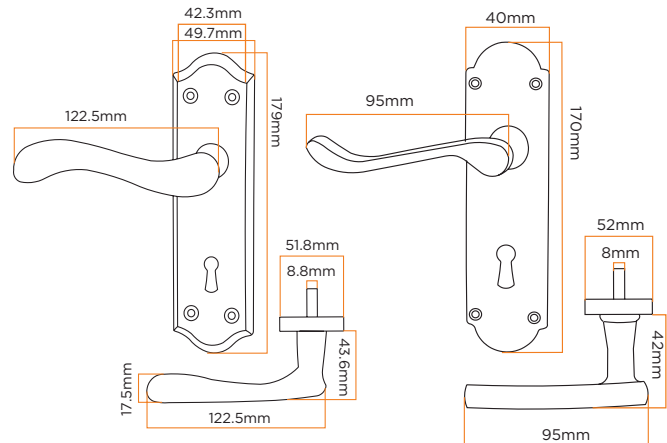
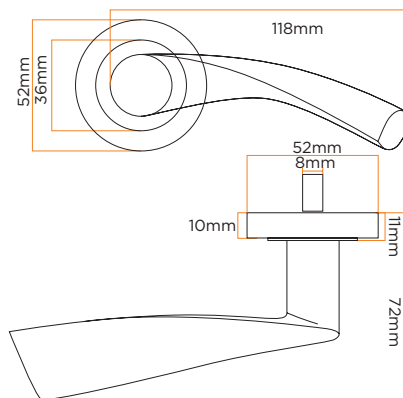
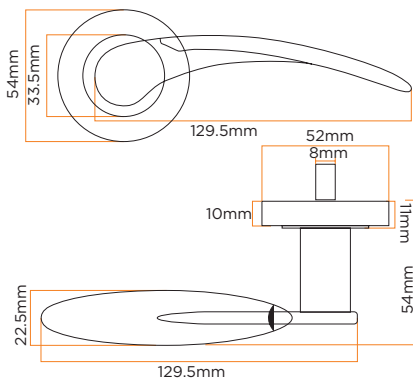


≡ APOLLO

≡ VERTO

≡ VERSAILLES

≡ VISTA



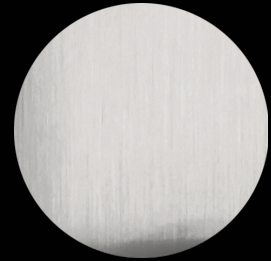
Our levers are manufactured to DIN EN 1906 European Quality Standards with 10 year guarantee on the mechanical parts. Matching Escutcheons are included with each of our lever sets. Privacy Thumbturns are available separately for each of our levers on Rose.



**SN** Satin Nickel



**NP** Nickel Polish



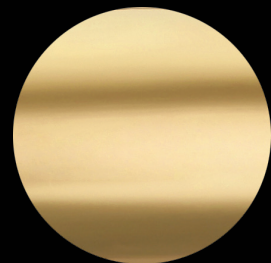
**SC** Satin Chrome



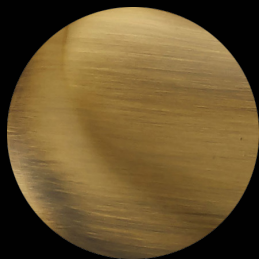
**PC** Polished Chrome



**SB** Satin Brass



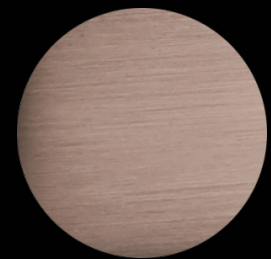
**PVD** PVD



**AB** Antique Bronze



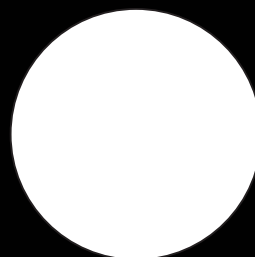
**SGMG** Solid Gun Metal Grey



**SBR** Satin Bronze



**SBL** Satin Black



**SW** Satin White



[www.fortessa-handles.com](http://www.fortessa-handles.com)

